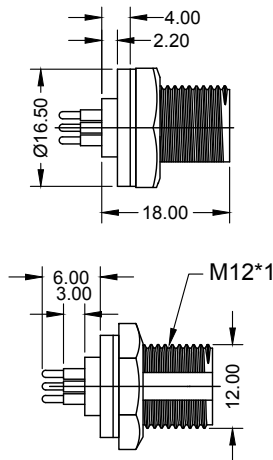


Pitch:3.54mm (0.139")
M12 Size Panel Male Conn DIP Type

Mxconn

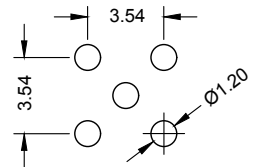
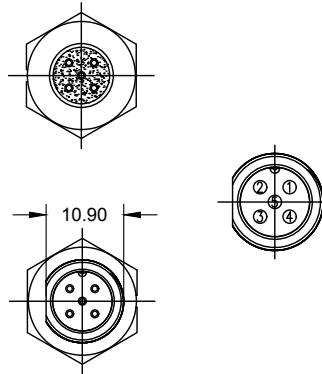
Materials

Contact Material: Brass
Insulator Material: Nylon+GF
Flame Retardant Grade: UL 94V-0



Specifications

Waterproof Rate: IP67
Current Rating: 5.0 A
Insulation Resistance: 1000MΩ min
Withstand Voltage: 2500V AC
Contact Resistance: 100mΩ max
Operating Temperature: -40°C~105°C



Recommended P.C.Board Layout

Ordering Information

MMZM012 - XX XX A001 X X

No. of Pins 02 ~ 08 Standard Plating 01=Tin 02=Gold Flash ... Material A=PBT B=PA6T C=LCP ... Colour 1=Black 2=White ...

Pitch:3.54mm (0.139")
M12 Size Wire Male Conn Screw Type

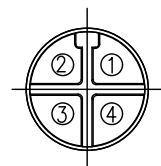
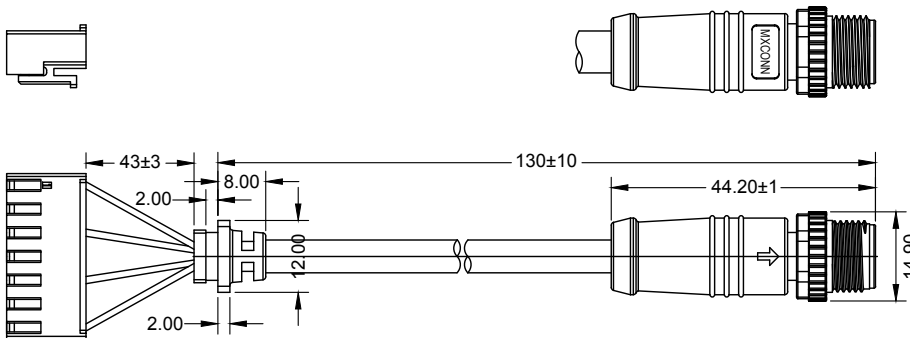
Mxconn

Materials

Contact Material: Phosphor Bronze
Insulator Material: Nylon+GF / PTU
Flame Retardant Grade: UL 94V-0

Specifications

Waterproof Rate: IP67
Current Rating: 5.0 A
Insulation Resistance: 1000MΩ min
Withstand Voltage: 2500V AC
Contact Resistance: 100mΩ max
Operating Temperature: -40°C~105°C



Pin Assignments Front View

Ordering Information

MMZM012 - XX XX A0180 X XXX

No. of Pins 02 ~ 08 Standard Plating 01=Tin 02=Gold Flash ... Wire size E=24# G=20# ... Colour 018=White 019=Black ...